



# 500 XLE

TREATMENT CHAIR



ENJOY QUALITY AND DESIGN

E

# 500 XLE

Item No. : 1500 0006

The perfect reclining treatment chair for rotation systems in outpatient operating rooms.

**Powerful  
and agile**



## MED.TEC at its highest level

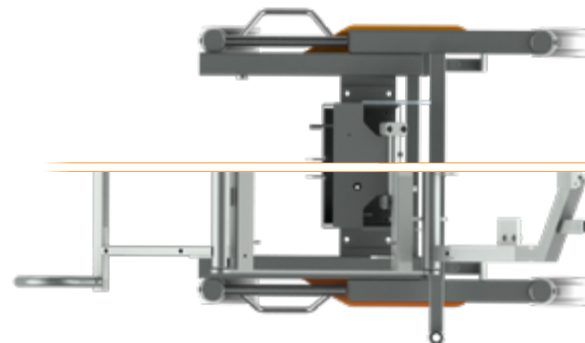
### Double castors

Four fully rotating double-run castors for back-friendly, easy rolling motion.



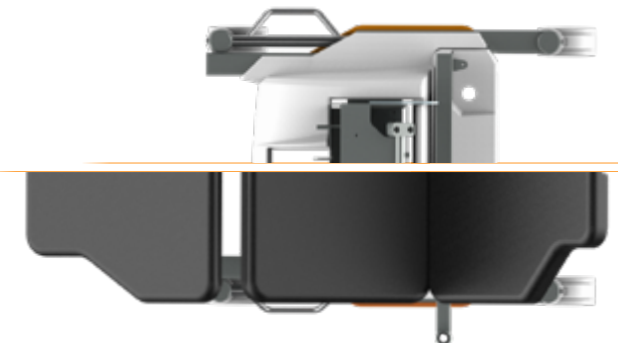
### Chassis / frame

Precision steel frame chassis, zinc primed with anthracite textured paint coating.



### Chassis cover / upholstery

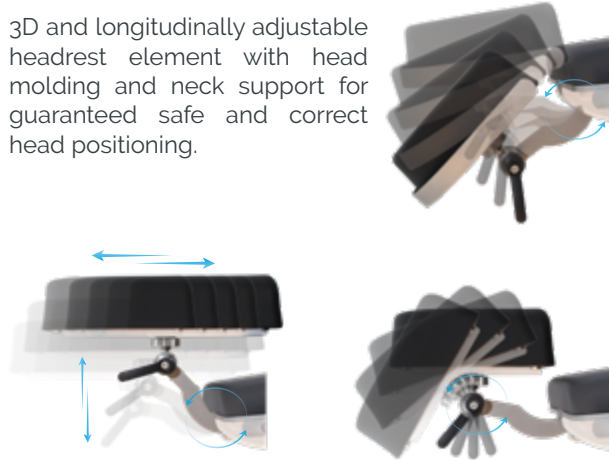
The mirror-finish plastic cover panels with their scratch-resistant and impact-modified surface finish are extremely hygienic and easy to disinfect.



## Precise positioning of the head part

### Headrest

3D and longitudinally adjustable headrest element with head molding and neck support for guaranteed safe and correct head positioning.



## Accessories

### Headrest with ball joint and more

Discover additional features and extensive accessories on page 34-35.

Item No.: 3351 1021

**NEW**



## Sterile adjustment by surgeon / maximum legroom



### Flexible reaction by foot control

Removable footswitch for infinite electronic height and head adjustment including reactivation button from the stand-by mode.



# Positioning



The 500 XLE treatment chair is designed for ergonomic and comfortable patient positioning and treatment, particularly for outpatient surgical techniques. It offers versatile adjustment of the head, back, seat and leg sections and overall chair height for patient transport.

- Eight freely programmable memory positions
- CPR button
- Reset button
- Auto run function
- Battery charge indicator



## Manual control



### Multi-functional manual control

- Battery charge indicator
- Reset button
- CPR button
- Auto run function
- 8 free configurable memory positions



## Positioning by hand control

### Standard recommended memo keys

For additional desired Memo positions, the system features 3 additional numeric keys.



## Mechanical maneuvering aid on the chassis



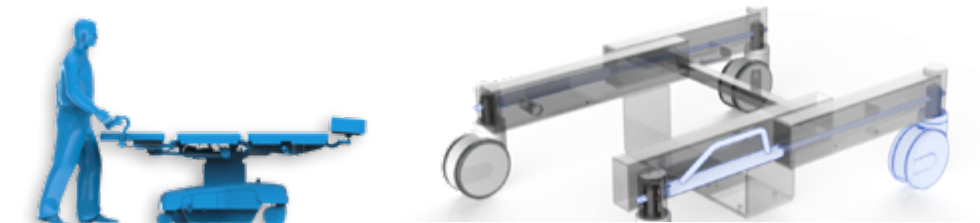
### Operation via foot lever on the chassis

Activation of directional guidance

Pushing from the head direction



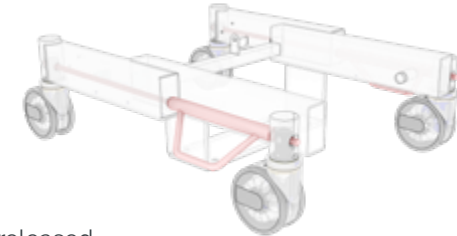
Pushing from the foot direction



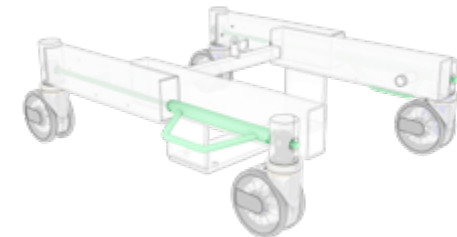
## Braking system

### Manually adjustable foot lever

Castors are braked



Castors are released, directional guidance is deactivated



## Push handles

Detachable push handles on the foot ends for easy maneuvering.



## Armrests

Hinged and removeable armrests for easy entry and exit as well as transfer of the patient.



## Accessories

### Additional handles / shoulder parts and more

Discover additional features and extensive accessories on page 33-34.



# 500 XLE comfort

Item No. : 1500 0006  
+ 3037 0080

Our 500 XLE with extra thick upholstery, integrated knee support cushion and flattened neck area - for extra reclining comfort.

**Outstanding comfort,  
particular flexibility.**



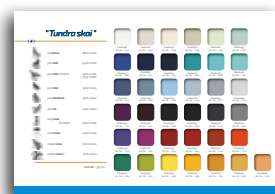
## Upholstery

### Comfort

Thick comfort upholstery and integrated knee support cushion, individually positionable to suit every patient's body height. The treatment chair featuring comfort upholstery is particularly well suited for longer surgical procedures (e.g. retina surgery).



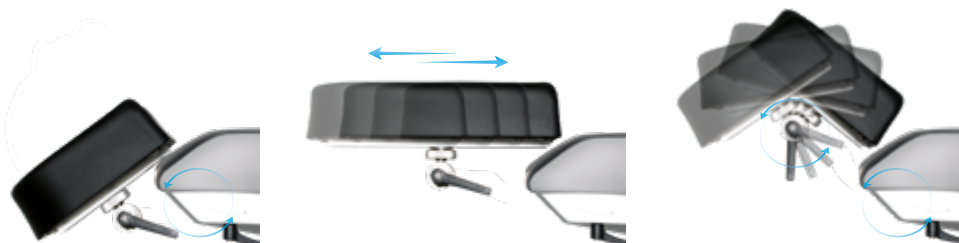
Available in a wide variety of colours.  
Please refer to page 108 for our complete range of colours.



## Flexibility in every detail

### Headrest

The flattened back cushion of the Comfort upholstery in the neck area offers maximum freedom of movement for the headrest.



### Integrated knee support cushion

Optimum patient comfort thanks to the integrated knee support cushion which can be easily adjusted to accommodate any patient height.

An optional legrest extension can be attached when treating tall or very tall patients.



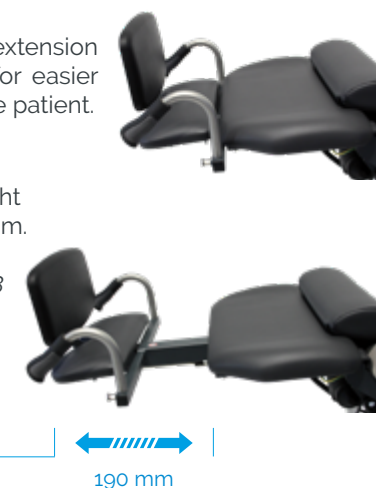
## Accessories

### Legrest extension

Adjustable legrest extension incl. foot support for easier entry and exit of the patient.

Besides, entry height is reduced by 80 mm.

Item No.: 3351 1028



# Technical specifications



## Chassis

- Frame profile 90 x 50 mm
- Outside length 785 mm
- Outside width 720 mm
- Steel tube frame, powder-coated elegant anthracite matte finish
- Brake operable from both sides and acting on two castors each; two castors featuring independent directional steering function
- Double rimmed castors  $\varnothing$  125 mm
- Detachable foot keypad (total, head up / down)
- Emergency stop button
- Visible screws are made of stainless steel
- With equipotential bonding connection

## Upper frame

- 4-part support frame (head, back, seat, leg part)
  - Removeable upholstery
  - Width of upholstery 610 mm
  - Width incl. armrests 850 mm
  - Length 1.760 – 1.900 mm  
(incl. legrest extension) + 190 mm
- |                     | Angle       | Dimensions (Lx W)                                                                                           |
|---------------------|-------------|-------------------------------------------------------------------------------------------------------------|
| - Head part         | -29° / +35° | 255 x 245 mm                                                                                                |
| - Back part         | 0° / +83°   | 610 x 610 mm                                                                                                |
| - Seat part         | -5° / +35°  | 450 x 610 mm                                                                                                |
| - Leg part          | 0° / +77°   | 510 x 610 mm                                                                                                |
| - Height adjustment |             | 625 – 925 mm<br>(comfort) 655 – 955 mm                                                                      |
| - Armrests          | 0° / +180°  | (2 x) 470 x 75 mm                                                                                           |
| - Entry height      |             | (standard) 580 mm / 500 mm (incl. legrest extension)<br>(comfort) 610 mm / 530 mm (incl. legrest extension) |
| - Legroom           |             | 520 – 820 mm                                                                                                |
| - Trendelenburg     |             | -12° / Reverse Trendelenburg +5°                                                                            |

## Electrical control

- All components according to IP54
- Manual keypad with 8 individually programmable memory positions, auto run function, reset button
- Foot keypad with 4 footswitches and reactivation button

### Electric Drives

- Head, back, seat, leg part, total up / down
- Trendelenburg / Reverse Trendelenburg

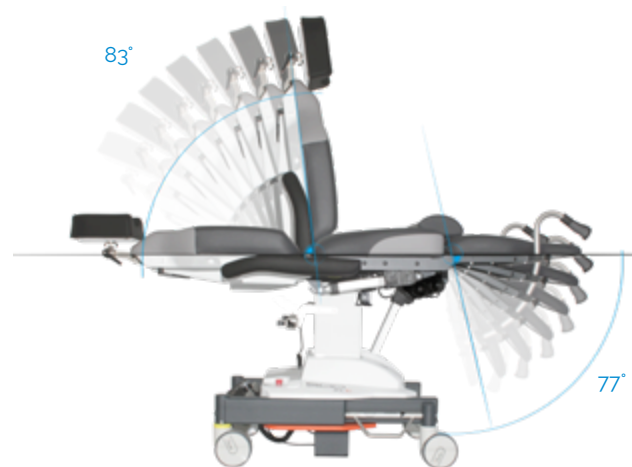
## Lifting column

- Max. lifting 300 mm
- Max. patient weight 250 kg
- Motors IP54 with HAL sensors, to be memorized

## Trendelenburg / Reverse Trendelenburg / CPR



## Back part / Leg part



## Height adjustment





## Powerful accumulators

- Battery box with 2 batteries (lead-gel), pollution free, maintenance-free, cadmium-free 2 x 12 V 7,2 Ah
- As back-up-system exchangeable without tools
- Acoustic low voltage signal for discharge protection
- Universal battery charger Input: 100-240 V Output: 24 V

### Operating time per battery charge

- Measured by operating circle (Prepare-Operate-Recover) 100 OPs
- Quantity of operating circles depends on individual operation

## Further technical details

- Chair has detachable, swiveling armrests made completely with PUR foam
- Detachable seat for service friendly access to electric components

- Max. load 250 kg
- Weight 135 kg

Subject to technical modifications.

## Mains-free operation

Easy recharging of the equipment thanks to charging adapter and integrated battery charger circuit board.



## Simple battery replacement

Extra security thanks to exchangeable battery drawer. The rechargeable batteries can be replaced quickly thanks to the rechargeable battery drawer.



## Equipment protection - cover drape *stayClean*

200 x 73 cm, box á 160 Pieces  
4 x 40 Pieces **Item No.: 3034 0014**

Page 72



## Colour card

Standard colour  
500 **XLE**  
500 **XLE comfort**

anthracite **Item No.: 3037 0052**  
anthracite **Item No.: 3037 0052**  
+ **Item No.: 3037 0056**

„Pandoria Plus“  
Page 109

„Tundra skai“  
Page 108



# Accessories



PERFORMANCE  
LINE



**500 XLE**  
Item No. : 1500 0006



**500 XLE comfort**  
Upcharge comfort upholstery incl. integrated knee roll, upcharge  
Item No. : 1500 0006 + 3037 0080



Headrest with ball joint,  
360° all-round adjustment,  
factory-fitted

Item No.: 3351 1021



Side parts (right+left)  
swiveling incl. locking,  
580 x 200 mm

Item No.: 3351 0012



Norm rail seat part

Item No.: 3351 0047



Side parts (right+left)  
incl. quick-release clamp for  
mounting on norm rail  
(without norm rail 3351 0047),  
580 x 200 mm  
Item No.: 3351 0050



Backup battery

Item No.: 3047 0000



Sliding handles back part

Item No.: 3351 0046



Additional handles, pair

Item No.: 3351 0017



Padded arm board  
with universal joint,  
with wrist secure straps

Item No.: 3351 0011



Flexible surgical drape  
support rod

Item No.: 3205 0000



Flexible surgical drape  
support rod with air  
connection

Item No.: 3206 0000



Hand control holder for  
attachment onto an I.V. Pole  
Ø 25 / 18 mm, PVC

Item No.: 3351 1022



Hand control holder, PVC

Item No.: 3351 1023



Head part bumper stainless steel

Item No.: 3028 0000



Wrist rest incl. mounting plate 30130000, adjustable

Item No.: 3014 0000



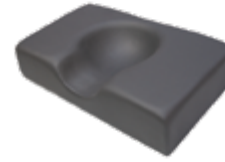
Wrist rest incl. mounting plate 30130000, adjustable, tiltable

Item No.: 3014 0005



Mounting plate stainless steel for the wrist rest 30140000

Item No.: 3013 0000



Head fixation pillow with hollow (rubins pillow), 41 x 25 cm, height 10 cm

Item No.: 3022 0000



Facial pillow, horseshoe-shaped, incl. adapter plate, factory-fitted, upcharge not discountable

Item No.: 3351 1016



Instrument table 50 x 30 x 1.5 cm, height adjustable, swiveling, detachable, incl. adapter

Item No.: 3065 0000



Shoulder parts right and left

500 **XLE**  
Item No.: 3071 0000  
500 **XLE** *comfort*  
Item No.: 3071 0001



Half round bolster pillow 60 x 28 x 14cm, cushions knees, PUD-coated

Item No.: 3019 0000



Full round bolster pillow, cushions knees, 50 x 15 cm, PUD-coated

Item No.: 3050 0000



Wrist secure straps, pair

Item No.: 3015 0000



Bodystrap with Velcro straps 2-piece

Item No.: 3083 0000



Legrest extension incl. foot support, factory-fitted, upcharge

Item No.: 3351 1028



Foot protection foil

Item No.: 3092 0001



I.V. Pole stainless steel Ø 25 / 18 mm, one-hand height-adjustable 1070-1660 mm, 4 hooks, max. 2 kg 8.4 lbs/hook, glass and holder  
Item No.: 3068 0000



Monitor arm stainless steel, swiveling, incl. extendible I.V. Pole Ø 25 mm

Item No.: 3024 0014



Accessory mounting support, stainless steel

Item No.: 3351 0037



Cylinder holder

Item No.: 3072 0002



Hand operating table with mounting clamp, table top and supports on castors height adjustable

Item No.: 3313 0000



Instrument table **supportLine** height adjustable 73-98,5 cm  
Item No.: 3351 0026  
**supportLinePlus** height adjustable 93-118,5 cm  
Item No.: 3351 0045



**stayClean** cover drape for treatment chair, 200x73 cm, box à 160 pieces  
Item No.: 3034 0014

# "Tundra skai"



**eyeForce** 1800 0000



**500 XLE** 1500 0006



**500 XLE comfort** 1500 0006  
+ 3037 0080



**500 bariatric** 1500 0002



**500 XLS** 1500 0005



**500 ECO** 1500 0008



**400 XL** 1400 0001



**surgiLine** Formed seat 2200 0008



**assistLine** 2400 0015



**motionLine** 1700 0000



**motionLine-E** 1700 0001

+ Item No.: 30370....



F6461198  
Item No.: .....134



F6461210  
Item No.: .....057



F6461636  
Item No.: .....094



F6461230  
Item No.: .....058



F6461610  
Item No.: .....153



F6461495  
Item No.: .....067



F6461453  
Item No.: .....062



F6461196  
Item No.: .....051



F6461204  
Item No.: .....055



F6461273  
Item No.: .....006



F6461338  
Item No.: .....008



F6461456  
Item No.: .....001



F6461581  
Item No.: .....073



F6461496  
Item No.: .....068



F6461609  
Item No.: .....076



F6461608  
Item No.: .....075



F6461550  
Item No.: .....070



F6461288  
Item No.: .....007



F6461354  
Item No.: .....011



F6461350  
Item No.: .....010



F6461357  
Item No.: .....060



F6461195  
Item No.: .....050



F6461197  
Item No.: .....052



F6461205  
Item No.: .....056



F6461356  
Item No.: .....059



F6461381  
Item No.: .....119



F6461199  
Item No.: .....054



F6461454  
Item No.: .....063



F6461557  
Item No.: .....072



F6461556  
Item No.: .....071



F6461455  
Item No.: .....064



F6461543  
Item No.: .....109



F6461343  
Item No.: .....009



F6461542  
Item No.: .....069



F6461607  
Item No.: .....074










F6461457  
Item No.: .....065



F6461458  
Item No.: .....066

# "Pandoria plus"



	<i>eyeForce</i>	1800 0000
	<i>500 XLE</i>	1500 0006
	<i>500 XLE comfort</i>	1500 0006 + 3037 0080
	<i>500 bariatric</i>	1500 0002
	<i>500 XLS</i>	1500 0005
	<i>500 ECO</i>	1500 0008
	<i>400 XL</i>	1400 0001

+ Item No.: 3037 0136  
+ Item No.: 3037 0...



weiß F6413046  
Item No.: .....053



hellbeige F6413047  
Item No.: .....141



kiesel F6413048  
Item No.: .....158



birke F6413049  
Item No.: .....159



smoke F6413050  
Item No.: .....221



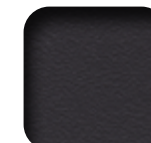
silbergrau F6413075  
Item No.: .....275



platin F6413053  
Item No.: .....161



anthrazit F6413076  
Item No.: .....276



schwarz F6413052  
Item No.: .....170



schoko F6413051  
Item No.: .....160



gletscher F6413055  
Item No.: .....162



sky F6413074  
Item No.: .....277



royal F6413056  
Item No.: .....163



smaragd F6413073  
Item No.: .....278



kaktus F6413077  
Item No.: .....281



feuer F6413058  
Item No.: .....166



kirsche F6413079  
Item No.: .....279



fuchsia F6413078  
Item No.: .....280



mais F6413057  
Item No.: .....164



limone F6413054  
Item No.: .....165

*Upgrade your OR to perfection.*



*eyeForce*



*500 XLE*



*500 XLE comfort*



*500 bariatric*



*500 XLS*



*500 ECO*



*400 XL*



*motionLine*



*motionLine-E*



*surgiForce*



*surgiForce light*



*surgiTrend*



*surgiLine*



*stayClean wipes*



*stayClean*



*staySoft*



*stayClean roll*



*assistTrend*



*assistPro F*



*assistPro H*



*easyPro F*



*easyPro H*



*easyPro R*



*assistLine*



*supportLine*



*supportLine plus*

## CONTACT US



UFSK-International OSYS GmbH  
Kirchhoffstraße 1  
93055 Regensburg  
Germany

Phone +49(0)941 78862 15  
Fax +49(0)941 78862 35  
Mail [info@ufsk-osys.com](mailto:info@ufsk-osys.com)  
Web [ufsk-osys.com](http://ufsk-osys.com)

**MADE IN GERMANY**  
Design | Construction | Manufacturing