

# 500 XLE

*The perfect reclining treatment chair for rotation systems in outpatient operating rooms.*



OPHTHALMIC SURGERY

Order No. 15000004

## ADVANTAGES



- Optimized price-performance ratio
- Ample legroom and unobstructed access to the patient's head
- Space-saving design for flexible use, outstanding maneuverability even in the most confined of spaces
- Multi-functional manual switch with 4 memory positions and auto-run function
- Automatic switch-off in the stand-by mode with reactivation button
- Sterile working conditions without interruption thanks to adjustment functions provided by the foot switches
- Not location-bound thanks to battery operation
- With equipotential bonding connection



- Easy maneuverability thanks to mechanic guidance operated via foot switch
- 360-degree rotating, electrically conductive double casters for outstanding movement characteristics
- Stool & table combination – no need for shifting or relocating the patients
- Service-friendly access for easy cleaning and maintenance
- Acoustic signal to warn against exhaustive battery discharge



- Easy mounting and dismounting, low access height
- Comfortable armrests for high patient safety, removable
- Comfortable upholstery in anthracite 197 standard shade





Power supply-independent battery box with integrated emergency shut-down switch.



Removable foot switch for infinite electronic height and head adjustment including reactivation button from the stand-by mode.



Standard sculptured headrest for high-precision patient positioning, adjustable via manual switches or foot switches.



Brake lever acting on 4 wheels.



Perfection for plastic surgery – move your patients into the perfect operating position at the touch of a button.

## EQUIPMENT



360-degree rotating double casters with full lock and “Steering Guide” function.



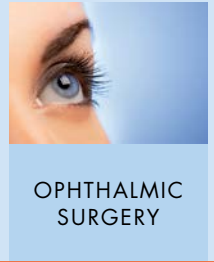
Multi-functional manual switch with positions memory and auto-run function.

Folding-down armrests serving as simple entry and exit aid.

Ample legroom for the surgeon – for optimized access to the patient.

# 500 XLE comfort

*The reclining treatment chair designed for a particularly high level of comfort. Our tried and tested designed in a whole new look.*



Order No. 15000004 + 30370080

## ADVANTAGES



- Optimized price-performance ratio
- Ample legroom and unobstructed access to the patient's head
- Space-saving design for flexible use, outstanding maneuverability even in the most confined of spaces
- Multi-functional manual switch with 4 memory positions and auto-run function
- Automatic switch-off in the stand-by mode with reactivation button
- Sterile working conditions without interruption thanks to adjustment functions provided by the foot switches
- Not location-bound thanks to battery operation
- With equipotential bonding connection



- Easy maneuverability thanks to mechanic guidance operated via foot switch
- 360-degree rotating, electrically conductive double casters for outstanding movement characteristics
- Stool & table combination – no need for shifting or relocating the patients
- Service-friendly access for easy cleaning and maintenance
- Acoustic signal to warn against exhaustive battery discharge



- Easy mounting and dismounting, low access height
- Comfortable armrests for high patient safety, removable
- Patient-friendly comfort upholstery including integrated knee support cushion in a two-tone design





Memory manual switch with four freely storable memory positions and auto-run function.



Electrically conductive double casters for secure positioning and perfect handling characteristics.



Zinc-primed chassis with anthracite 197 structured finish. Scratch-resistant, hard-wearing, PMMA-laminated ABS covering with high-gloss finish.



Push handles on the head and foot ends for easy maneuvering.



Telescopic stainless-steel accessories storage system.

## EQUIPMENT



Integrated knee support cushion, individually positionable to suit every patient's body height.

Two-tone comfort upholstery (anthracite 197/chrome standard shade) for even more comfortable sitting/reclining positions.



Available in a wide variety of colors. Please refer to Page 57 for our complete range of colors.

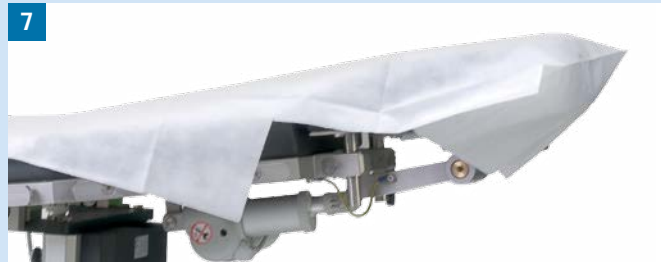
# 500 XLE

## 500 XLE *comfort*



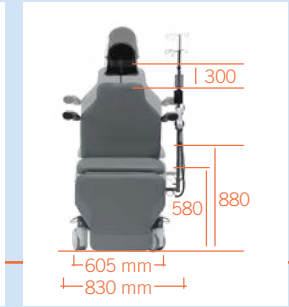
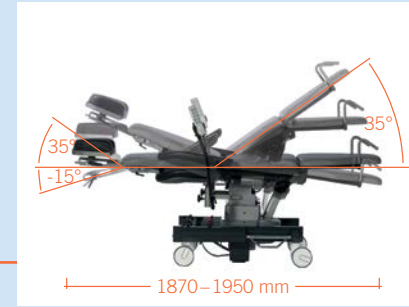
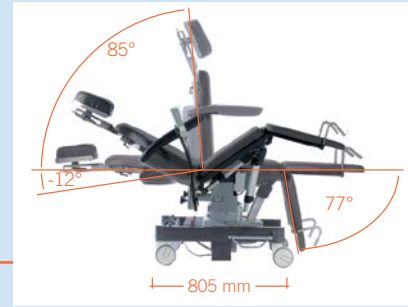
### ACCESSORIES

<p><b>1</b> FLEXIBLE SURGICAL DRAPE SUPPORT ROD without oxygen connection with oxygen connection</p>	<p>No 32050000 No 32060000</p>	<p><b>5</b> SIDE PARTS, (right + left) swiveling incl. locking, upholstered</p>	<p>No. 31010001</p>	<p><b>9</b> I.V. POLE stainless steel <math>\varnothing</math> 25/18 mm, one-hand height-adjustable 1070–1660 mm, 4 hooks, max. 2 kg 84.4 lbs/hook, glass and holder</p> <p>No. 30680000</p>
<p><b>2</b> HEAD PART BUMPER stainless steel</p>	<p>No 30280000</p>	<p><b>6</b> ADJUSTABLE WRIST WREST incl. mounting plate</p>	<p>No. 30140000</p>	
<p><b>3</b> HAND CONTROL HOLDER, PVC</p>	<p>No. 30390002</p>	<p><b>7</b> STAYCLEAN treatment chair cover drape, 200 x 73 cm box à 150 pieces</p>	<p>No. 30340000</p>	
<p><b>4</b> BACKUP BATTERY</p>	<p>No. 30470000</p>	<p><b>8</b> PADDED ARM BOARD with universal joint, with wrist secure straps</p>	<p>No. 30780000</p>	



# 500 XLE

## 500 XLE comfort



## SPECIFICATIONS

### Chassis

- Frame profile 90 x 50 mm
- Outside length 805 mm
- Outside width 605 mm
- Zinc undercoat, elegant anthracite matte finish
- Central brake on both sides, working on four wheels. The direction of two wheels can be independently adjusted
- Double rimmed casters ø 125 mm
- Detachable foot control (total up/down, head up/down)
- Emergency stop
- Visible screws are stainless steel

### Lifting Column

- Head part  
Power: 5,000 N    Lifting: 29 mm    Length: 397 mm
- Back part  
Power: 4,000 N    Lifting: 160 mm    Length: 340 mm
- Seat part  
Power: 3,000 N    Lifting: 202 mm    Length: 395 mm
- Leg part  
Power: 5,000 N    Lifting: 110 mm    Length: 334 mm
- Height adjustment  
Power: 4,000 N    Lifting: 300 mm    Length: 465 mm
- Motors IPX4 with HAL sensoric, to be memorized

### Upper Frame

- 4-part support frame (head, back, seat, foot)
- Length 1,870–1,950 mm
- Width 610 mm
- Access height 580 mm
- Removeable upholstery
- Tundra skai or skai Pandoria Plus colors see color chart

	Max. Load	Angle	Dimensions (L x B)
- Head part	20 kg	-15°–35°	300 x 250 mm
- Back part	90 kg	-12°–85°	610 x 610 mm
- Seat part	90 kg	0°–35°	450 x 610 mm
- Leg part	50 kg	0°–77°	510 x 610 mm
- Height adjustment	250 kg		from 580–880 mm
- Armrests	30 kg ea.	0°–180°	(2 x) 470 x 75 mm

### Electronic Control

- Hand control with 4 individually programmable memory positions, auto-run function, reset button
- Foot control element

### Battery unit

- Independent battery box 2 x 12 V 7.2 Ah
- As back-up-system exchangeable without tools

- Acoustic low voltage signal for discharge protection
- SMPS – Switched-mode power supply

### Operating Time Per Battery Charge

- Measured by operating circle (Prepare-Operate-Recover) 30 OP's
- Quantity of operating circles depends on individual operation

### Electromotive Drives

- Head, back, seat, foot, total up/down
- Trendelenburg/Reverse Trendelenburg

### Further Technical Details

- Chair has detachable, swiveling armrests made completely with PU foam
- All touchable metal parts are grounded
- Detachable seat for service friendly access to electric components

Max. Load 250 kg

Weight 135 kg

Subject to technical modifications.